

BLUE OX MOUNTINGGUIDE

SAFETY

READ AND SAVE THIS MANUAL COMPLETELY AND COMPLY AS DIRECTED. THIS MANUAL CONTAINS PRECAUTIONARY STATEMENTS RELATING TO WORKER SAFETY. WORKERS HANDLING EQUIPMENT OR SYSTEMS SHOULD BE INSTRUCTED TO CONDUCT THEMSELVES IN A SAFE MANNER. ALL THE POTENTIAL HAZARD OF DUST AND MIST CONTROL SYSTEMS AND EQUIPMENT ARE IMPOSSIBLE TO LIST. THEREFORE, OBTAIN THE SERVICES OF A PROFESSIONAL INSTALLER. A FIRE PROTECTION EXPERT SHOULD BE OBTAINED IN THE EVENT THE PRODUCT IS INTENDED FOR USES WHICH PRESENT A POTENTIAL RISK OF FIRE OR FIRE PROPOGATION. REFER TO APPROPRIATE AUTHORITIES, AND DISCUSS YOUR INTENDED USE WITH AIR CLEANING SPECIALISTS, INC.



DISCLAIMER

Although instructions and recommendations are included for installation for your air cleaning equipment, the manufacturer does not assume responsibility for the installation of this equipment, nor shall be held liable for direct or consequential damages resulting from improper methods, structural failure or inadequate supports.

Installing Your New BLUE OX Units

All installations must meet all electrical or mechanical building codes that may apply in your particular area. If there are no local requirements, you should follow the National requirements. If the optional Drain-Plug was installed in your unit, you can connect an appropriate 3/8" I.D. rubber hose for oil/mist routing, or utilize our optional Collection Bottle. All chains, hooks, bolts or other items used in the installation must be at least strong enough to support FOUR times the weight of each unit. Consult sales team for exact mounting weights for your unit.

Methods For Mounting Your BLUE OX Unit

There are many different ways to install your units. The most common method of installing the units is to support them from the ceiling structure or buildings walls. The factory can drill 4 holes down through the top of the unit approximately 4" from each end and 1" from each side of the unit. The factory will then install Eye-Bolts that can be used to attached chain or rod. These options are available at an additional cost.

On our larger units (OX3500 and larger) we recommend utilizing Strut Channel underside, or over the units.

The top end of all chains/hardware must be secured to the ceiling structure in a safe and acceptable manner.

The last typical method for installation is a dual L-Bracket mount, which is ideal for wall mounting smaller units. The next page includes sketches indicating possible methods of mounting your Blue OX units. Please ensure all installations are secure and meet all local, state, and federal codes. Be sure your unit is connected to the proper voltage and is protected by correct size fuses or breakers.

Blue OX Mounting Options

Option 1: Eye Bolts

OX1100, OX2500, OX3000, OX3500C*



INSTALL BOLTS 1" FROM THE SIDE, AND 4" FROM THE END OF THE UNIT

INSTALLING BOLTS ELSEWHERE ON THE UNIT MAY CAUSE DAMAGE AND VOID WARRANTY

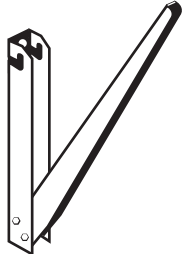
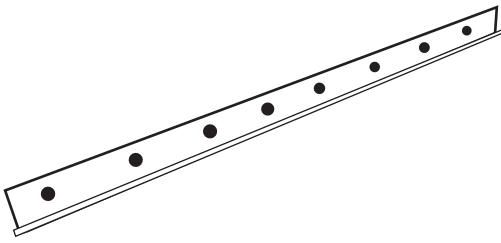

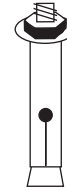
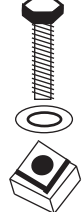

BOLTS CAN BE FACTORY INSTALLED UPON REQUEST

USE THIS OPTION FOR OX1100, OX2500, OX3000, OX3500C*

* 3500 REQUIRES LARGER CAST EYE BOLTS

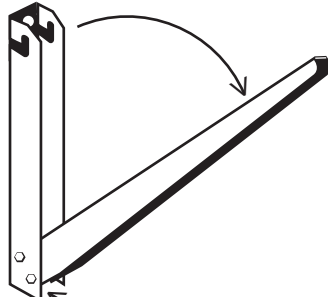
Option 2 – Wall Mounting with L-Brackets

OX1100, OX2500, OX3000

<p>Bracket Arm (2)</p> 	<p>Crossbar (1)</p> 	<p>8x80mm Lag Screw(6)</p> 	<p>10mm Concrete Anchor (6)</p> 	<p>1" Bolt (4) Clip Nut (4)</p> 	<p>Rubber Mount (4)</p> 
---	---	--	---	---	---

1

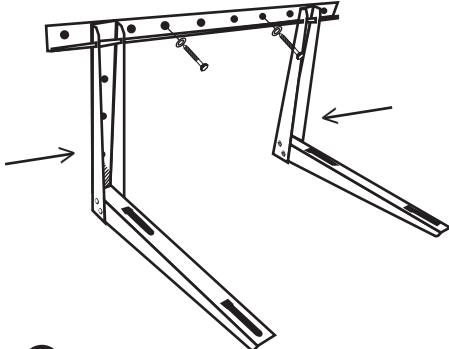
Extend bracket arms.



Tighten two bolts on each arm.

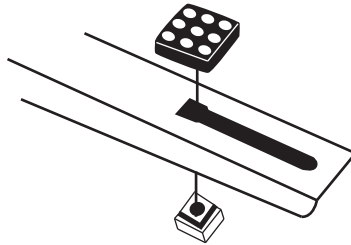
2

Level and attach crossbar with two lag screws or anchors provided (Substitute other fastener types where appropriate). Slide extended bracket arms onto crossbar.



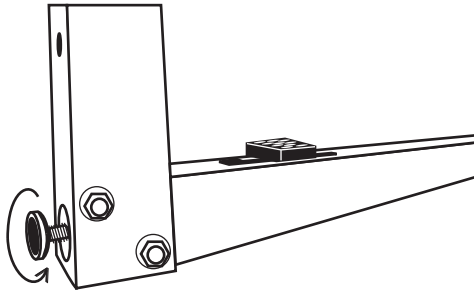
3

Insert clear clip/nut into mounting key hole from below arm. Attach rubber mount through key hole, aligning center hole with clip/nut. Repeat and slide all four mounts to the center of their respective slots.



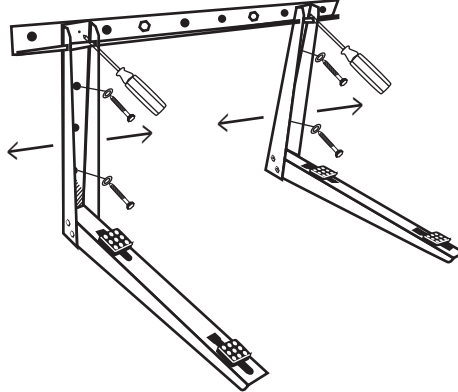
4

Unscrew rubber stand-offs on the back of each arm as needed to level both arms.



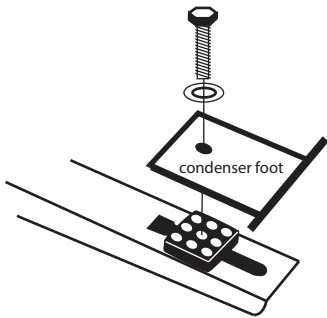
5

Position arms to accommodate equipment measurements and tighten set screws. Use remaining lag screws or anchors to secure bracket arms.



6

Position mounts to accommodate equipment measurements. Place condenser on mounts aligning holes in feet with center hole in mounts. Attach using 4 provided bolts.



CAN USE THIS OPTION FOR OX1100, OX2500, OX3000

Option 3 – Mounting Strut Channel

OX4000, OX4500, OX7000+



Strut Channel

CAN USE THIS OPTION FOR OX4000,OX4500,OX7000+

FINAL NOTES

Please note that other methods are possible, but not offered, supplied, or specified by Air Cleaning Specialists Inc. All mounting should be done by a professional installer or contractor, in a safe and legal manner.

LOUVERS

Four way louvers are provided on most units to permit you to direct the discharge air towards the directions required for best airflow pattern. Consult Sales team for recommendations.

PARTS

Always Use BLUE OX Replacement Filters & Parts To Maintain Warranty.

**To Order Replacement Parts & Filters:
Visit: blueoxaircleaners.com | Call: 866-455-2135
Email: info@aircleaningspecialists.com
11088 Gravois Industrial Court, St. Louis, MO 63128**